

4

3

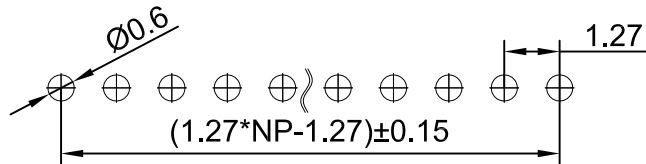
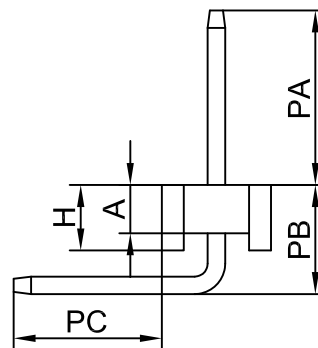
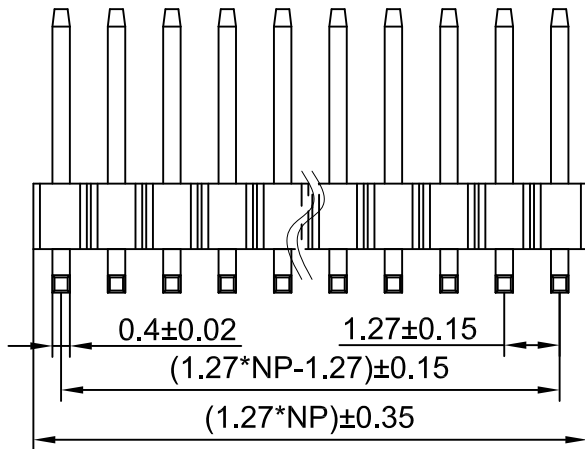
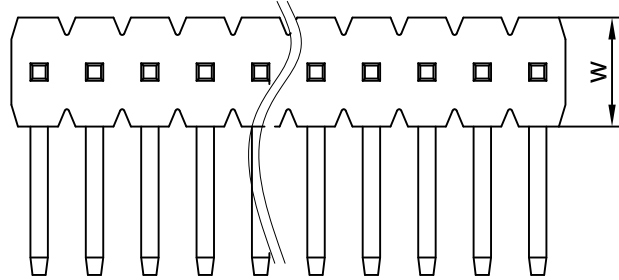
2

1

CROWN LINK®

專業薄膜開關連接器第一品牌

ROHS



PCB LAYOUT

◆ Specifications

1. Current Rating: 1Amps
2. Insulation Resistance: 1000 MΩ min
3. Dielectric withstanding Voltage: AC 500V
4. Contact Resistance: 30 mΩ max
5. Operating Temperature: -25°C to +85°C
6. Contact Material: Brass
7. Insulation Material: As follows
8. Plated: As follows

◆ PART NO.

L203	XX	-XX	1	X	X	XX	X
1.27mm single row	PLASTIC HEIGHT	PIN NO.	0=180°	MATERIAL	PLATED	SERIES NO.	PACKAGE
H*W	1~50	1=90°	1, PBT	0, Au0.8u"	01~68/Without a column	A=bag	
10=1.0*2.0	2=SMT	3, NY6T	1, Au1u"	70~98/With inside column	B=tubes		
15=1.5*2.5	4, LCP	2, Au1.5u"	2, Au2u"		C=tray		
17=1.7*2.5	5, NY66	3, Au2u"	3, Au3u"		D=reel		
20=2.0*2.5	7, NY46	4, Au3u"	4, Au5u"				
25=2.54*2.5	8, NY9T	5, Au5u"	6, Au10u"				
		6, Au10u"	7, Selective gold				
		7, Selective gold	8, Tin				
		8, Tin	9, Matte-Tin				

DRAWN/繪圖	DATE/日期	CROWN LINK® THE LEADING MANUFACTURER OF FPC & FFC CONNECTOR, HOUSING AND DOME.			
MARY	2017.08.30	PRODUCT NAME/品名 PH1.27*H 1×NP 90° SINGLE ROW PIN HEADER			
CHECK BY/審查	DATE/日期	PART NO./料號	PIN NUMBER/針數	SCALE/比例	SIZE/圖號
VIVIAN	2017.08.30	L203XX-XX1XXXXX	01P-50P		A4
APPROVED BY/核准	DATE/日期	MATERIAL/材質	COLOR/顏色	ANGLE OF VIEW/視角	SHEET/頁碼
WENDY	2017.08.30		BLACK COLOR		1 OF 1
PACKAGE/包裝					REV/版本
					A

				LINER	ANGLES
				.0 ±0.30	0.° ±3°
A	FIRST DRAWING	MARY	2017.08.30	.00 ±0.20	.0° ±2°
				.000 ±0.10	.00° ±1°
REV/版本	MODIFIED CONTENT /變更內容	DRAWN/繪圖	DATE/日期	TOLERANCE RANGE/公差範圍	

D

D

C

C

B

B

A

A